

KEY FEATURES

- Very high efficiency (5.2 %)
- Extremely linear frequency response
- Low harmonic distortion
- 3" edgewound aluminium voice coil with polyimide fiber glass former
- Large magnetic assembly to provide efficient heat dissipation
- Designed for high quality mid-frequency reproduction

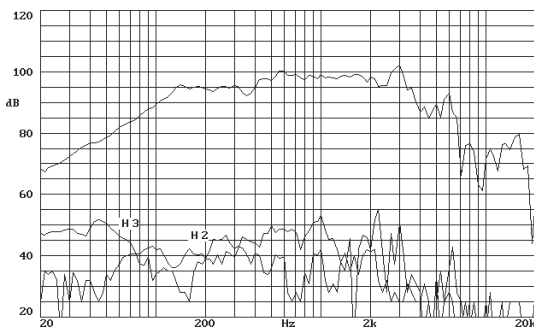


GENERAL DESCRIPTION

This low-mid frequency transducer offers three main points of interest: a high efficiency (5.2 %), an extremely linear frequency response and a low harmonic distortion. These characteristics make it suitable for high quality sound reinforcement systems, especially for live applications.

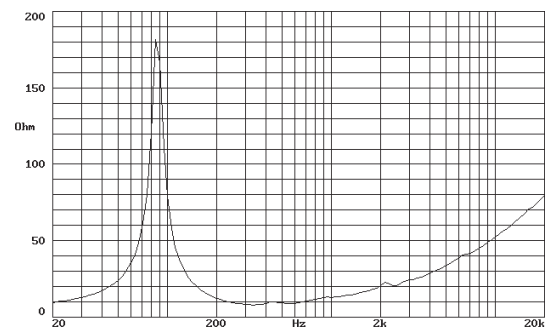
Beyond its frequency response advantages, this loudspeaker offers more: it takes profit of the improvements achieved in our low frequency-high power transducers. Thus, it incorporates a high quality voice coil and a large magnetic assembly to provide efficient heat dissipation. Thanks to this design concept of strongness, the 10 MI100 reaches a considerable power handling (350 W_{AES}).

FREQUENCY RESPONSE AND DISTORTION CURVES

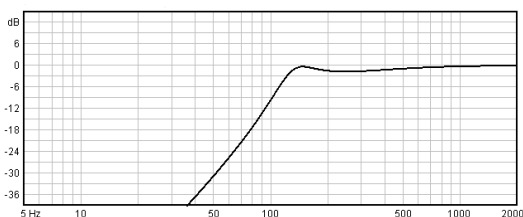


Note: on axis frequency response measured with loudspeaker standing on infinite baffle in anechoic chamber, 1w @ 1m.

FREE AIR IMPEDANCE CURVE

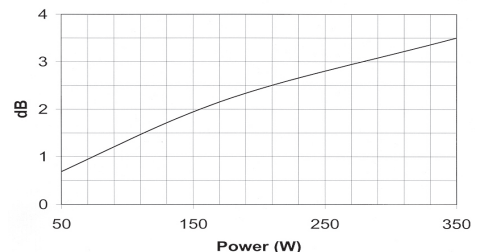


PREDICTED LOW FREQUENCY RESPONSE



Note: Bass-reflex cabinet, Vb=20 l, fb=130 Hz

POWER COMPRESSION LOSSES



Note: These losses are calculated from a five minutes AES power test applying band limited pink noise (120-3500 Hz). The loudspeaker is free-air standing.

TECHNICAL SPECIFICATIONS

Nominal diameter	250 mm.	10 in.
Rated impedance	8 ohms.	
Minimum impedance	8 ohms.	
Power capacity*	350 w AES	
Program power	700 w	
Sensitivity	101 dB	2.83v @ 1m @ 2π
Frequency range	70 - 4000 Hz	
Recom. enclosure vol.	20 / 50 l	0.7 / 1.75 ft. ³
Voice coil diameter	77 mm.	3 in.
Magnetic assembly weight	6.5 kg.	14.2 lb.
BL factor	21.6 N / A	
Moving mass	0.034 kg.	
Voice coil length	13.5 mm.	
Air gap height	9.5 mm.	
X damage (peak to peak)	24 mm.	

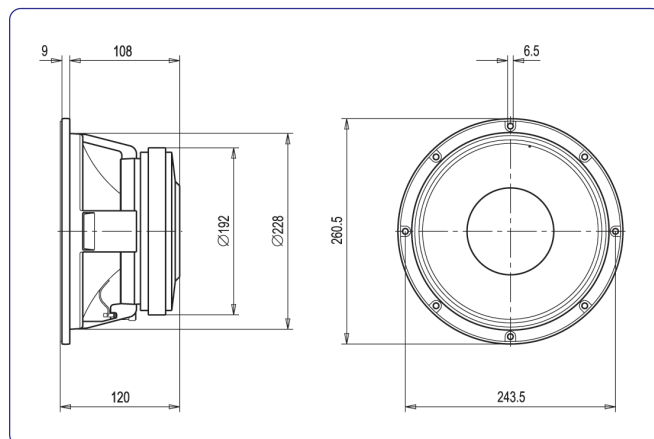
MOUNTING INFORMATION

Overall diameter	260.5 mm.	10.25 in.
Bolt circle diameter	243.5 mm.	9.58 in.
Baffle cutout diameter:		
- Front mount	228 mm.	9 in.
- Rear mount	230 mm.	9.05 in.
Depth	120 mm.	4.72 in.
Volume displaced by driver	3 l	0.10 ft. ³
Net weight	7.1 kg.	15.6 lb.
Shipping weight	7.5 kg.	16.5 lb.

THIELE-SMALL PARAMETERS**

Resonant frequency, fs	89 Hz
D.C. Voice coil resistance, Re	6.2 ohms.
Mechanical Quality Factor, Qms	7.2
Electrical Quality Factor, Qes	0.26
Total Quality Factor, Qts	0.25
Equivalent Air Volume to Cms, Vas	20 l
Mechanical Compliance, Cms	95 μm / N
Mechanical Resistance, Rms	2.6 kg / s
Efficiency, ηo (%)	5.2
Effective Surface Area, Sd (m ²)	0.0380 m ²
Maximum Displacement, Xmax	2 mm.
Displacement Volume, Vd	75 cm. ³
Voice Coil Inductance, Le @ 1 kHz	2.3 mH

DIMENSION DRAWINGS



MATERIALS

- **Voice coil:** edgewound aluminium wire with high temperature bonding strength. Polyimide fiber glass former able to withstand high temperatures.
- **Cone:** light and stiff paper cone to provide good mid-frequency response.
- **Surround:** treated cloth to equalize mechanically the frequency response.
- **Spider:** cotton spider.
- **Metal parts:** anti-corrosion coated back plate designed to resist aggressive environmental conditions.
- **Basket:** specially designed die cast aluminium basket to avoid disturbing resonances.
- **Magnet:** high Curie temperature ferrite.

Notes:

* The power capacity is determined according to AES2-1984 (r2003) standard. Program power is defined as the transducer's ability to handle normal music program material.

** T-S parameters are measured after an exercise period using a preconditioning power test. The measurements are carried out with a velocity-current laser transducer and will reflect the long term parameters (once the loudspeaker has been working for a short period of time).



acústica beyma, s.a.

Polígono Industrial Moncada II · C/. Pont Sec, 1c · 46113 MONCADA - Valencia (Spain)

· Tel. (34) 96 130 13 75 · Fax (34) 96 130 15 07 · <http://www.beyma.com> · E-mail: beyma@beyma.com ·